

L-Series Indoor Strobes, and Horn Strobes for Ceiling Applications

The L-Series audible visible notification products offer the most versatile and easy-to-use product line of horns, strobes, and horn strobes in the industry. This product includes lower current draws and modern aesthetics design which reduces installation times and maximizes profit. In addition, the L-Series offers white and red plastic housings, and wall and ceiling mounting options.

The entire L-Series product line of ceiling-mount strobes and horn strobes include a variety of features that increase their application versatility while simplifying installation. All devices feature a plug-in design with minimal intrusion into the back box, making installations fast and foolproof while virtually eliminating costly and time consuming ground faults.

To simplify installation, the L-Series utilizes a universal mounting plate so installers can mount them to a wide array of back boxes. With an onboard shorting spring, installers can test wiring continuity before the device is installed.

Installers can also easily adapt devices to suit a wide range of application requirements using field-selectable candela settings, automatic selection of 12- or 24-volt operation, and a rotary switch for horn tones with two volume selections.



FEATURES & BENEFITS

- Listed for ceiling mounting only
- Features a plug-in design with minimal intrusion into the back box
- Designed with tamper-resistant construction
- Rotary switch for horn tone and two volume selections
- Tamper-resistant construction
- Includes a universal mounting plate for ceiling units
- Produces horn rated at 88+ dBA at 16 volts
- Rotary switch for horn tone and two volume selections
- Automatic selection of 12- or 24-volt operation at 15 and 30 candela
- Field-selectable candela settings on ceiling units: 15, 30, 75, 95, 115, 150, 177
- Contains a mounting plate with a shorting spring feature checks wiring continuity before device installation
- Compatible with System Sensor synchronization protocol
- Supports electrically Compatible with legacy SpectrAlert and SpectrAlert Advance devices

L-SERIES SPECIFICATIONS ARCHITECT / ENGINEER SPECIFICATIONS

GENERAL

L-Series ceiling-mount strobes and horn strobes shall mount to a standard 4 × 4 × 1½-inch back box, 4-inch octagon back box, or doublegang back box. Two-wire products shall also mount to a single-gang 2 × 4 × 1 7/8-inch back box. A universal mounting plate shall be used for mounting ceiling and wall products. The notification appliance circuit wiring shall terminate at the universal mounting plate. Also, L-Series products, when used with the Sync•Circuit™ Module accessory, shall be powered from a non-coded notification appliance circuit output and shall operate on a nominal 12 or 24 volts. When used with the Sync•Circuit Module, 12-volt-rated notification appliance circuit outputs shall operate between 8.5 and 17.5 volts; 24-volt-rated notification appliance circuit outputs shall operate between 16.5 and 33 volts. Indoor L-Series products shall operate between 32 and 120 degrees Fahrenheit from a regulated DC or full-wave rectified unfiltered power supply. Ceiling strobes and horn strobes shall have field-selectable candela settings including 15, 30, 75, 95, 115, 150, and 177.

STROBE

The strobe shall be a System Sensor L-Series Model _____ listed to UL 1971 and shall be approved for fire protective service. The strobe shall be wired as a primary-signaling notification appliance and comply with the Americans with Disabilities Act requirements for visible signaling appliances, flashing at 1 Hz over the strobe's entire operating voltage range. The strobe light shall consist of a xenon flash tube and associated lens/reflector system.

HORN STROBE COMBINATION

The horn strobe shall be a System Sensor L-Series Model _____ listed to UL 1971 and UL 464 and shall be approved for fire protective service. The horn strobe shall be wired as a primary-signaling notification appliance and comply with the Americans with Disabilities Act requirements for visible signaling appliances, flashing at 1 Hz over the strobe's entire operating voltage range. The strobe light shall consist of a xenon flash tube and associated lens/reflector system. The horn shall have two audibility options and an option to switch between a temporal three pattern and a non-temporal (continuous) pattern. These options are set by a multiple position switch. The horn on horn strobe models shall operate on a coded or non-coded power supply.

SYNCHRONIZATION MODULE

The module shall be a System Sensor Sync•Circuit model MDL3 listed to UL 464 and shall be approved for fire protective service. The module shall synchronize SpectrAlert strobes at 1 Hz and horns at temporal three. Also, while operating the strobes, the module shall silence the horns on horn strobe models over a single pair of wires. The module shall mount to a 4 11/16 × 4 11/16 × 2 1/8-inch back box. The module shall also control two Style Y (class B) circuits or one Style Z (class A) circuit. The module shall synchronize multiple zones. Daisy chaining two or more synchronization modules together will synchronize all the zones they control. The module shall not operate on a coded power supply.

PHYSICAL

Ceiling-Mount Dimensions (including lens): 6.8" diameter × 2.5"H (173 mm diameter × 64 mm high)

Ceiling-Mount Surface Mount Back Box Skirt Dimensions (SBBCR, SBBCW): 6.9" diameter × 3.4"H (175 mm diameter × 86 mm)

AGENCY LISTINGS AND APPROVALS

UL: Listed

FM: Approved

CSFM: Listed

ELECTRICAL

Nominal Voltage: Regulated 12 DC or regulated 24 DC/FWR1

Operating Voltage Range²: 8 to 17.5 V (12 V nominal) or 16 to 33 V (24 V nominal)

Operating Voltage Range MDL3 Sync Module: 8.5 to 17.5 V (12 V nominal) or 16.5 to 33 V (24 V nominal)

Input Terminal Wire Gauge: 12 to 18 AWG

ENVIRONMENTAL

Standard Operating Temperature: 32°F to 120°F (0°C to 49°C)

Humidity Range: 10 to 93% non-condensing

Notes:

1. Full Wave Rectified (FWR) voltage is a non-regulated, time-varying power source that is used on some power supply and panel outputs.
2. P, S, PC, and SC products will operate at 12V nominal only for 15 and 30 cd

UL MAX STROBE CURRENT DRAW (mA RMS)

CANDELA	8-17.5V	16-33V	FWR
	DC	DC	
15	87	41	60
30	153	63	86
75	N/A	111	142
95	N/A	134	164
115	N/A	158	191
150	N/A	189	228
177	N/A	226	264

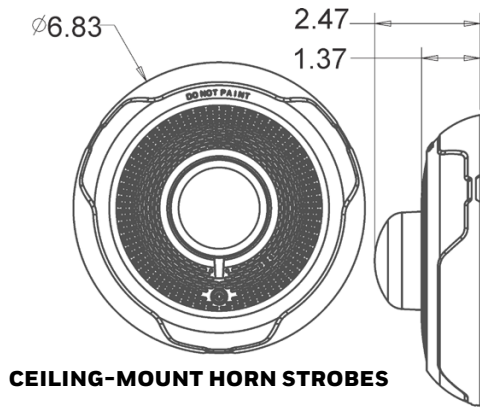
UL MAX CURRENT DRAW (mA RMS), 2-WIRE HORN STROBE

CANDELA	8 VDC		16 VDC						
	15	30	15	30	75	95	115	150	177
EM Temp Hi	103	167	71	90	143	165	187	217	254
EM Temp Low	96	165	54	71	137	161	185	211	249
EM Cont Hi	106	173	71	90	141	165	187	230	273
EM Cont Low	95	166	54	71	124	161	170	216	258
3.1K Temp Hi	111	164	69	94	147	163	184	229	257
3.1K Temp Low	103	163	54	88	143	155	185	212	252
3.1K Cont Hi	111	172	69	94	144	164	202	229	271
3.1K Cont Low	103	169	54	88	131	155	187	217	259
CANDELA	16V FWR								
	15	30	75	95	115	150	177		
EM Temp Hi	107	135	179	198	223	254	286		
EM Temp Low	78	101	151	172	199	229	262		
EM Cont Hi	107	135	179	198	223	254	286		
EM Cont Low	78	101	151	172	199	229	262		
3.1K Temp Hi	108	135	179	200	225	255	289		
3.1K Temp Low	79	101	150	171	196	229	260		
3.1K Cont Hi	108	135	179	200	225	255	289		
3.1K Cont Low	79	101	150	171	196	229	260		

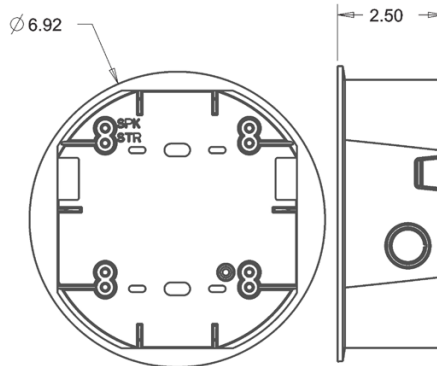
HORN AND HORN STROBE OUTPUT (DBA)

SWITCH POSITION	SOUND PATTERN	DB	8-17.5V	16-33V	FWR
			DC	DC	
1	Temporal	High	84	89	89
2	Temporal	Low	75	83	83
3	Non-Temporal	High	85	90	90
4	Non-Temporal	Low	76	84	84
5	3.1 KHz Temporal	High	83	88	88
6	3.1 KHz Temporal	Low	76	82	82
7	3.1 KHz Non-Temporal	High	84	89	89
8	3.1 KHz Non-Temporal	Low	77	83	83

SL-SERIES DIMENSIONS



CEILING-MOUNT HORN STROBES



CEILING BACK BOX SURFACE MOUNT BACK BOX

For a complete listing of all compliance approvals and certifications, please visit www.farenhyt.com.

Microsoft, Windows, and the Windows Logo are registered trademarks or trademarks of Microsoft Corporation.

System Sensor® and Honeywell® are registered trademarks of and Farenhyt™ is a trademark of Honeywell International, Inc.

This document is not intended to be used for installation purposes. We try to keep our product information up-to date and accurate. We cannot cover all specific applications or anticipate all requirements. All specifications are subject to change without notice.

For Technical Support, call 800-446-6444.

ORDERING INFORMATION

CEILING HORN STROBES

PC2RL: 2-Wire, Horn Strobe, Red

PC2WL: 2-Wire, Horn Strobe, White

CEILING STROBES

SCRL: Strobe, Red

SCWL: Strobe, White

SCWL-CLR-ALERT: Strobe, White, ALERT

ACCESSORIES

TR-2: Universal Wall Trim Ring Red

TR-2W: Universal Wall Trim Ring White

SBBCRL: Ceiling Surface Mount Back Box, Red

SBBCWL: Ceiling Surface Mount Back Box, White

For more information

Learn more about Honeywell's Farenhyt Series and other products available by visiting www.farenhyt.com

Honeywell Farenhyt

12 Clintonville Road
Northford, CT 06472
800-328-0103