

Farenhyt



SILENT
KNIGHT

by Honeywell

Addressable Monitor Module

IDP-Monitor-2

The IDP-Monitor-2 is an addressable monitor module with two initiating circuits for use with Silent Knight IFP-series fire alarm control panels (FACPs). The IDP-Monitor-2 acts as an interface to contact devices, such as waterflow switches and pull stations.

The IDP-Monitor-2 supports Class B supervised wiring to the load device. Conventional 4-wire smoke detectors can be monitored for alarm and trouble conditions.

Because the IDP-Monitor-2 is capable of monitoring two separate Class B circuits, it is ideal for waterflow tamper switch and flow switch monitoring.

Features

- Monitor two circuits, with unique addresses, simultaneously
- Support for Class B wiring
- Fully supervised
- Panel controlled status LED that flashes green in normal state and is solid red in alarm
- Attractive ivory cover plate
- Rotary address switches for fast installation
- SEMS screws for easy wiring
- UL Listed

Installation

The IDP-Monitor-2 mounts directly into a 4" square electrical box. The box must have a minimum depth of 2-1/8". A surface mount electrical box (System Sensor® PN SMB500) is available from Silent Knight.

Agency Listings



MEA
457-99-E Vol. V



IDP-Monitor-2

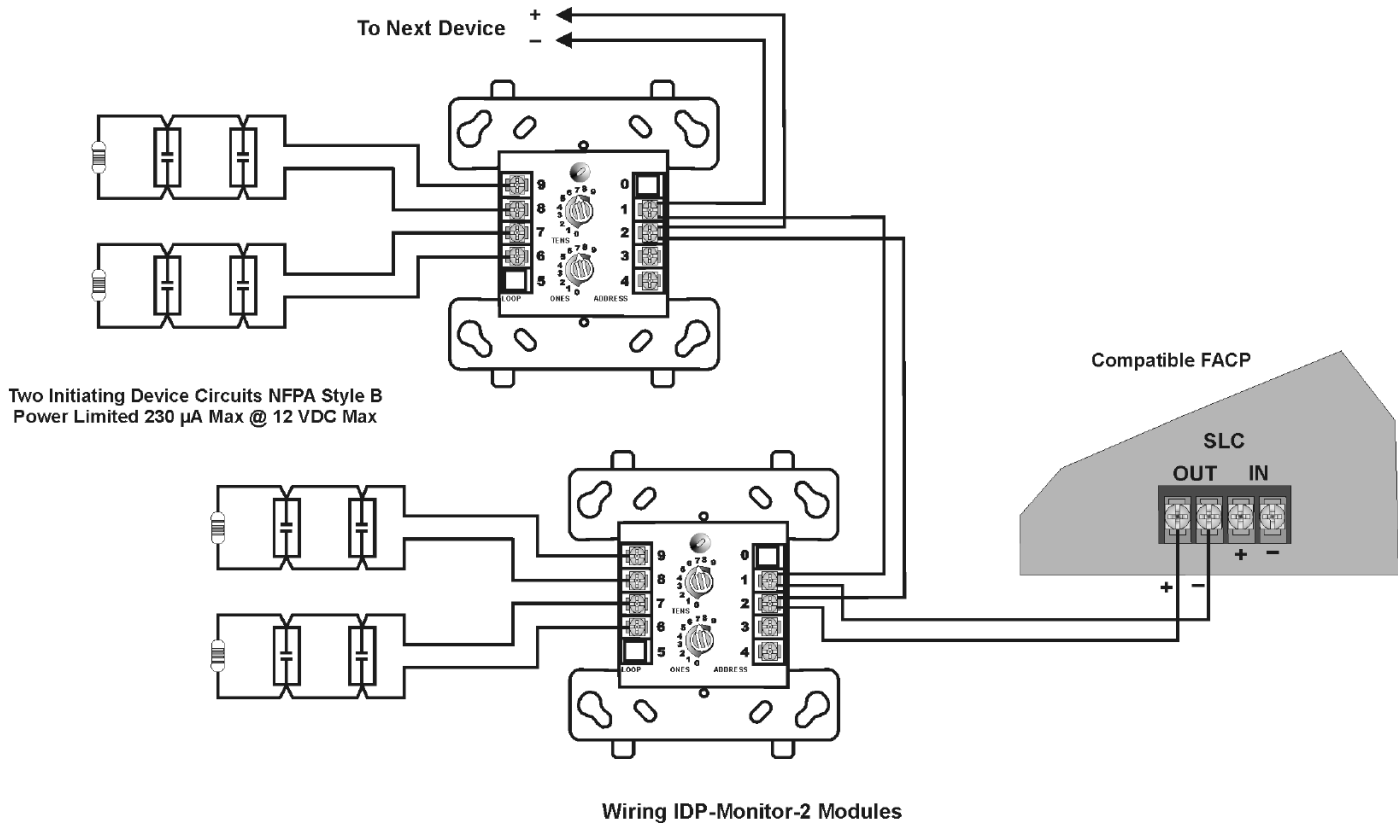
Compatibility

The IDP-Monitor-2 is compatible with the following FACPs:

- IFP-2000 / RPS-2000 Intelligent Fire Panel
- IFP-2000ECS Emergency Communication System with Fire Panel
- IFP-1000 / ECS Intelligent Fire Panel
- IFP-100 / ECS Intelligent Fire Panel
- IFP-50 Intelligent Fire Panel

P/N 350289 Rev F

Copyright © 2015 Honeywell International Inc



Specifications

Physical

Height: 4.5" (11.4 cm)
Width: 4" (10.2 cm)
Depth: 1.3" (3.2 cm)
Shipping Weight: 6.3 oz (196 g)

Electrical

Operating Voltage: 15 – 32 VDC
Standby and Alarm Current:
750 μ A max @ 24 VDC (one communication every 5 sec with 47K EOL)
End-of-Line Resistance: 47K Ω

Environmental

Operating Temperature: 32°F – 120°F (0°C – 49°C)
Humidity: 10% – 93% non-condensing

Ordering Information

IDP-Monitor-2 Dual Monitoring Module

Accessories

SMB500 4" Square Surface Mount Electrical Box



This document is not intended to be used for installation purposes. We try to keep our product information up-to-date and accurate. We cannot cover all specific applications or anticipate all requirements. All specifications are subject to change without notice. For more information, contact Silent Knight 12 Clintonville Road, Northford, CT 06472-1610 Phone: (800) 328-0103, Fax: (203) 484-7118. For Technical Support, Please call 800-446-6444. www.farenhyt.com