

5898

WIRELESS K-BAND DUAL TEC® MOTION SENSOR



Honeywell's 5898 Wireless K-Band DUAL TEC Motion Sensor provides superior detection and reduces the risk of false alarms. The combination of PIR and K-Band microwave technologies enable the sensors to distinguish between real intruders and other environmental conditions by "confirming" each other within a defined area of protection. The sleek, compact design makes it ideal for applications where aesthetics and discretion are critical.

PIR sensitivity and temperature sensing can be enabled via local programming or from the central station. Installation is easy, with no jumpers, switches or disassembly, fewer mounting restrictions and an automatic walk test mode that turns on the LED for ten minutes—saving installers one trip up the ladder for each sensor. The 5898 blends perfectly with Honeywell's 5800 Series family of sensors to create a seamless look in any residential or commercial environment.

FEATURES

• **Advanced DualCore Signal Processing**

DualCore signal processing analyzes PIR and microwave signals through the 5898 microcontroller. DualCore processing supports a multitude of advanced functions, including concurrent diagnostics, digital fluorescent light interference filter, adaptive baselines and bidirectional temperature compensation.

• **K-Band Microwave Technology**

K-Band microwave technology delivers sharp detection without holes or weak spots. The custom-made source offers pattern shaping to fill the protected area with a broad, balloon-shape that matches the PIR pattern. It also offers pattern containment to reduce the penetration of microwave energy through walls.

• **Faster and Easier to Install**

Specific features that contribute to this benefit include:

- Automatic walk test
- Flashlight walk test
- Remotely programmable sensitivity
- Circuit board does not need to be removed to install on wall

- Ceiling and wall mounting brackets help to easily direct the pattern where needed

- No mounting height adjustments
- 7'-9' mounting height means fewer restrictions than current offerings
- Easy opening case
- Covered circuit board reduces risk of installer initiated damage

• **Fewer Service Calls**

Incorrect installation of equipment or changing requirements at the site (e.g., new pets) are no longer a problem with:

- Automatic walk test mode turns on the walk test LED for ten minutes. Walk test mode can also be triggered with a flashlight.
- Remotely programmable sensitivity
- Longer battery life
- End-user replaceable batteries
- Black bug guard means 15% fewer false alarms due to bright lights directed into the PIR
- UV protected lenses

• **Same Family Look**

Dealers can install one family look whether they use hardwired, V-Plex® or wireless in order to complete the job. In addition, if the dealers need to mix and

match sensing technologies, the look of the installation is consistent.

• **Decreased Liability**

Self-test—alerts end-user and central station if the motion detector stops functioning

• **Hot or Cold Temperature Alert**

- (< 45° F) warns when temperatures are approaching the freezing point
- (> 95° F) warns when temperatures are rising too high

• **Commercial Dealer—Additional Benefits**

- New longer range patterns allow more wireless options
- Colder operation down to -4° F (-20° C) for use in unheated areas
- High or low temperature detection
- Look down option provides increased security right below the detector
- Back tamper switch—required for commercial certificated installations

5898

WIRELESS K-BAND DUAL TEC MOTION SENSOR

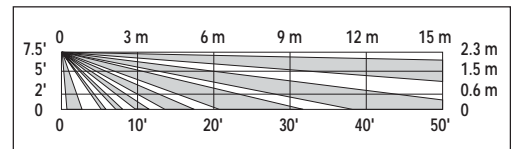
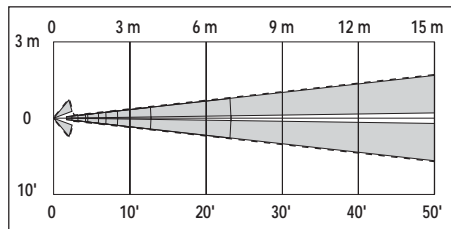
ORDERING

5898 Wireless K-Band DUAL TEC Motion Sensor

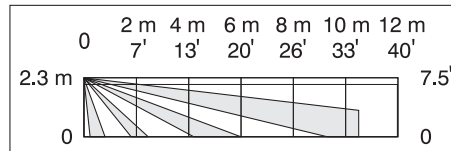
ACCESSORIES

- 0-000-110-01** SMB10 Universal White Swivel Mount Bracket (5 pack)
- 0-000-155-01** SMB10T Tampered Universal White Swivel Mount Bracket (5 pack)
- 0-000-111-01** SMB10C Universal White Ceiling Mount Bracket (5 pack)
- DT7000-LRLK** Long Range Lens Kit 50' x 10' (15 m x 3 m)
- DT7000-HSLK** High Security Lens Kit 35' x 40' (11 m x 12 m)
- DT7000-PALK** Pet Alley Lens Kit 35' x 40' (11 m x 12 m)

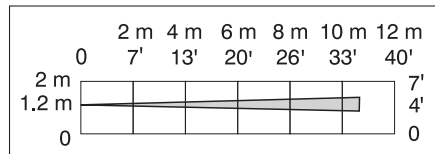
DT7000-LRLK
LR Curtain Lens
Kit Pattern



DT7000-HSLK
High Security Lens



DT7000-PALK
Pet Alley Lens



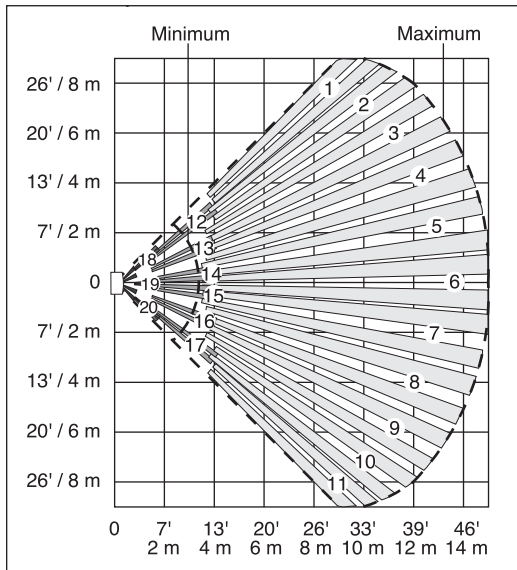
For more information:
www.honeywell.com/security/hsc

Automation and Control Solutions
Honeywell Security & Communications
2 Corporate Center Dr. Suite 100
P.O. Box 9040
Melville, NY 11747
1.800.467.5875
www.honeywell.com

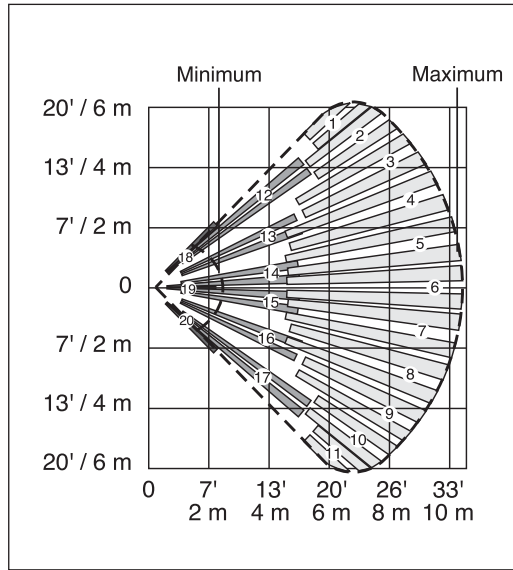


DETECTION PATTERNS

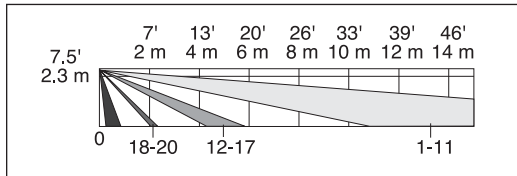
50'/15m Wide Angle Lens
5898 DUAL TEC
Top View



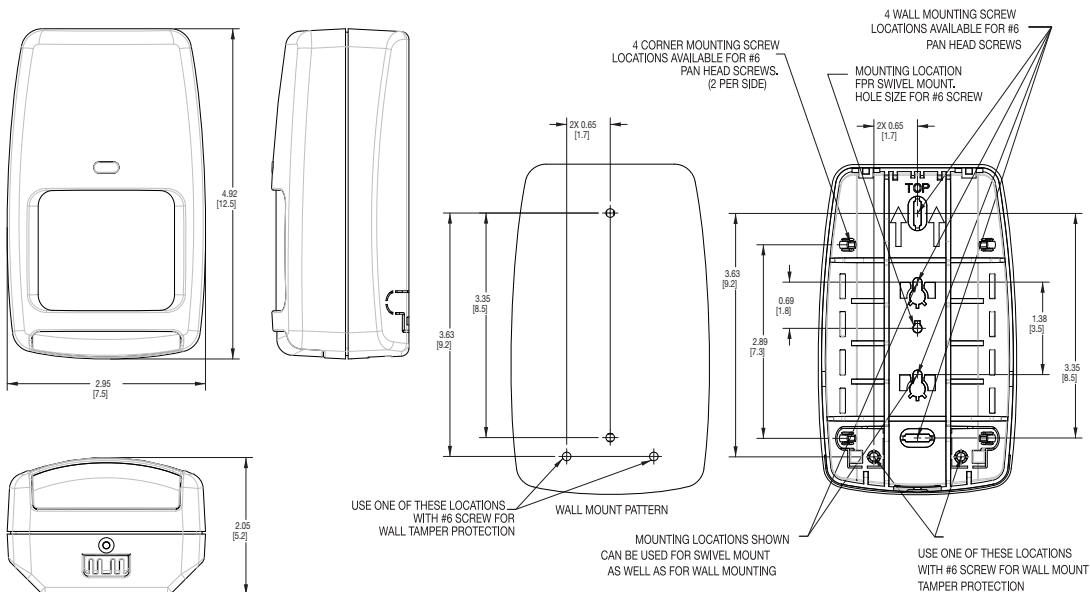
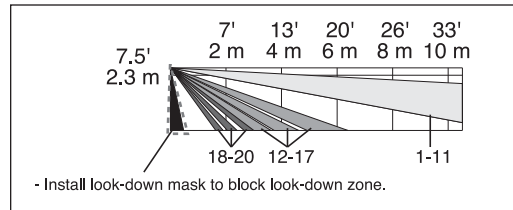
35'/11m Animal Immune Lens
5898 DUAL TEC
Top View



50' x 60', (15m x 18m); 90° wide angle
Side View



35' x 40', (11m x 12m); 90° wide angle
Side View



SPECIFICATIONS

- **Detection Method**

- Dual Technology Sensor with
- Dual Element Passive Infrared
- K-Band Microwave

- **Range**

- 50' x 60' (15m x 18m); 90° wide angle
 - 44 zones (22 long range, 12 intermediate, 6 lower, 4 look-down)
- 35' x 40' (11m x 12m); 90° wide angle
 - 102 zones (44 long range, 36 intermediate, 18 lower, 4 look-down)

- **Power**

- Four 1.5V AA, Energizer® L91, Honeywell 462

- **RF Frequency**

- 345 MHz

- **Operating Temperature**

- For indoor use environment
- -4° F to 131° F (-20° C to 55° C)

- **Relative Humidity, Non-condensing**

- 95% max

- **Detectable Walk Rate**

- 0.7 – 7 ft/Sec. (0.2 – 2.0m/Sec.)

- **Temperature Compensation**

- Advanced Dual Slope

- **Pet/Animal Immunity**

- 0, 50 or 100 lbs (0, 22.6, or 45 Kg)
- When used with the animal immune lens (included)

- **Mounting Height**

- 7' to 9' (2.1m to 2.7m)

- **Tamper Switch**

- Front cover and back tamper

- **Sensitivity**

- Remotely selectable
 - Loop 1 = Pulse count 2 [50 lbs or 100 lbs of pet immunity]
 - Loop 2 = Pulse count 1 [0 lbs of pet immunity]

- **Self Test**

- Internally checks the PIR, temperature compensation and pyroelectric circuits disabling the RF supervision signal if six consecutive self tests fail

- **Temperature Detection (Selectable)**

- Low temperature
 - Fault = < 45° F (7° C) for > 20 to 60 minutes
 - Restore = > 48° F (9° C) for > 20 to 60 minutes
- High temperature
 - Fault = > 95° F (35° C) for > 20 to 60 minutes
 - Restore = < 92° F (33° C) for > 20 to 60 minutes

- **Microwave Frequencies**

- 24.125 GHz (K-Band)

- **Fluorescent Light Filter**

- 50 Hz or 60 Hz, selectable

- **Dimensions**

- W = 2.95" (7.5cm)
- H = 4.92" (12.5cm)
- D = 2.05" (5.2cm)

- **Weight**

- 7.55 oz packaged product (0.21407 kg)

- **Includes:**

- Mounting hardware
- Lens masking
- Four 1.5V Lithium AA batteries
- 50' x 60' wide area lens (installed)
- 35' x 40' animal immune lens (included)

- **Approvals/Listings**

- FCC part 15, Class B verified
- IC, RSS-210, Class B verified
- C-Tick
- UL Listed to UL639
- cUL Listed to ULC-S306

- **Battery Life Curve***

The 5898 has a battery life of up to 4.5 years (in a typical installation with an average of 80 motion events per day).

**Battery life may vary depending on alarms per day and environmental conditions of the installation site.*