

## 5818MNL

### RECESSED DOOR/WINDOW TRANSMITTER



Honeywell's 5818MNL Recessed Door/Window Transmitter is a magnetic contact sensor that provides concealed protection for doors or windows. With its tapered design and at nearly half the size of standard transmitters, the 5818MNL is another example of how Honeywell's wireless technology is continually evolving to meet customer needs.

## FEATURES

- Includes self-contained transmitter and reed sensor
- Easy replaceable AAA Lithium battery
- Virtually disappears once installed
- 0.5" gap (transmitter to magnet)
- Features a tapered cylinder for easy and flush fit

## SPECIFICATIONS

### Dimensions

- 0.75" diameter x 3.0" length
- (19mm x 76.2mm)

### Power Source

- 1.5VDC, AAA Lithium battery (supplied)
- or 1.5VDC, AAA Alkaline battery

### Operating Temperature

- 32°F to 122°F (0°C to 50°C), non-condensing

### Gap

- 0.5" (12.7mm) make distance

### Transmit Frequency

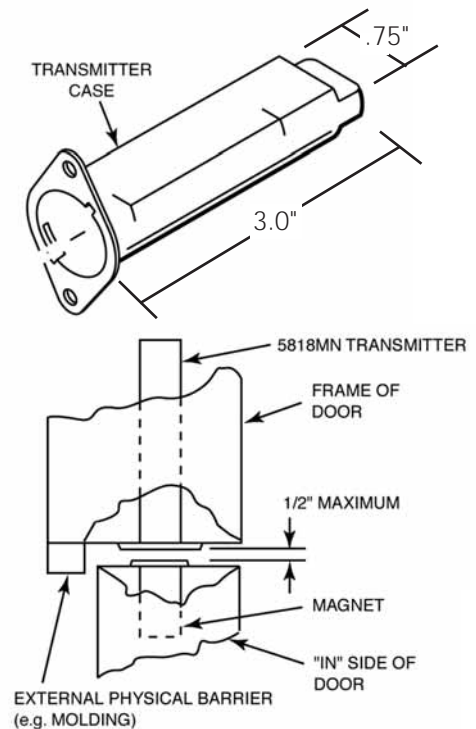
- 345 MHz

### Compatibility

- Compatible with all 5800 series wireless devices

### Agency Listings

- FCC
- IC
- cULus



## ORDERING

**5818MNL** Recessed Door Transmitter with Lithium battery supplied

### Honeywell Security & Custom Electronics

PO Box 9035,  
Syosset, NY 11791  
www.honeywell.com

L/5818MN/D  
November 2006  
©2006 Honeywell International Inc.